

ADA Compliant Shower Trailers

Present your guests with unparalleled comfort and hospitality with UltraLav® mobile restrooms & showers.



UltraLav® ADA mobile shower trailers meet or exceed the permanent structure criteria as specified by the American Disabilities Act. Everything needed for set-up is totally self-contained. The amazing engineering feat is accomplished by our exclusive and proprietary "one-touch" hydraulic trailer lowering system, which lowers the entire trailer smoothly and quietly.

INTERIOR (ADA Shower)

- Ceramic Toilet (ADA Compliant)
- High Clearance Porcelain Sink (ADA Compliant)
- Self-Closing Faucet with Front Push Operation
- Slip Resistant Floor with Built-In Shower Pan
- Metered Water Saver Chrome Shower
- Shower Curtain
- Shatter Proof Mirror
- Soap Dispenser
- Paper Towel Dispenser
- Toilet Paper Holder
- Wastebasket
- Sanitary Supply Receptacle
- Smooth, Aluminum PolyCor® Interior Walls & Ceiling
- 12v LED 6" Round Dome Lights (6 per)
- Ceiling With Built-In Air Supply & Air Return
- Interior Turning Radius and Exterior Landing Turning Radius (Exceeds ADA Requirements)
- Hand Rails and Grab Bars are Stainless Steel (ADA Compliant)

MECHANICALS

- Roof Mounted A/C with Heat Strip
- Wall Mounted Thermostat
- Fresh Water Hook-Up
- On-Board Fresh Water System (105 Gallons)
- Fresh Water Pump
- 120V 6 Gallon Electric Water Heater
- PEX Manifold Water Distribution System
- 120V 30 amp Motorbase with Twist Lock
- 120V 30 amp 25' Shoreline
- Polyethylene Waste Tank (3/8" Walls)
- White Vinyl Walls In Mechanical Closet



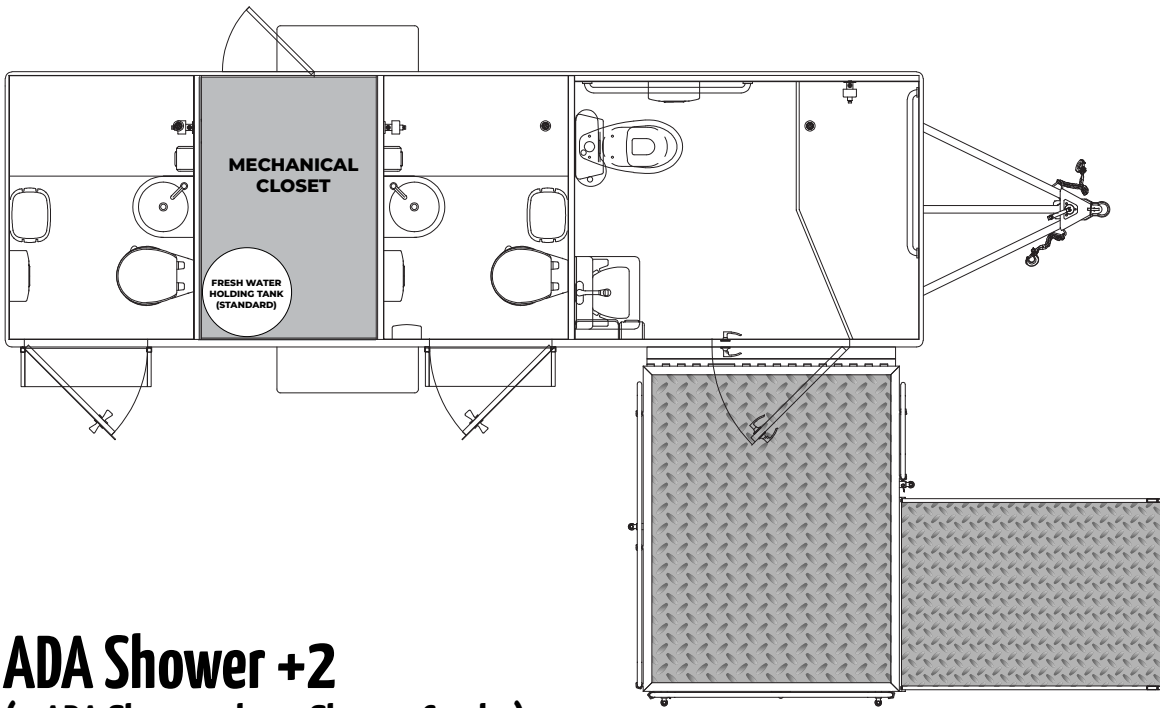
EXTERIOR

- 36" W Entry Door (Exceeds ADA Requirements)
- 12v LED Porch Light(s)
- 3" Quick Connect Waste Tank Access Valve
- Waste Tank Level Indicator (Sight Glass)
- ADA Landing/Ramp System with Stainless Steel Railings



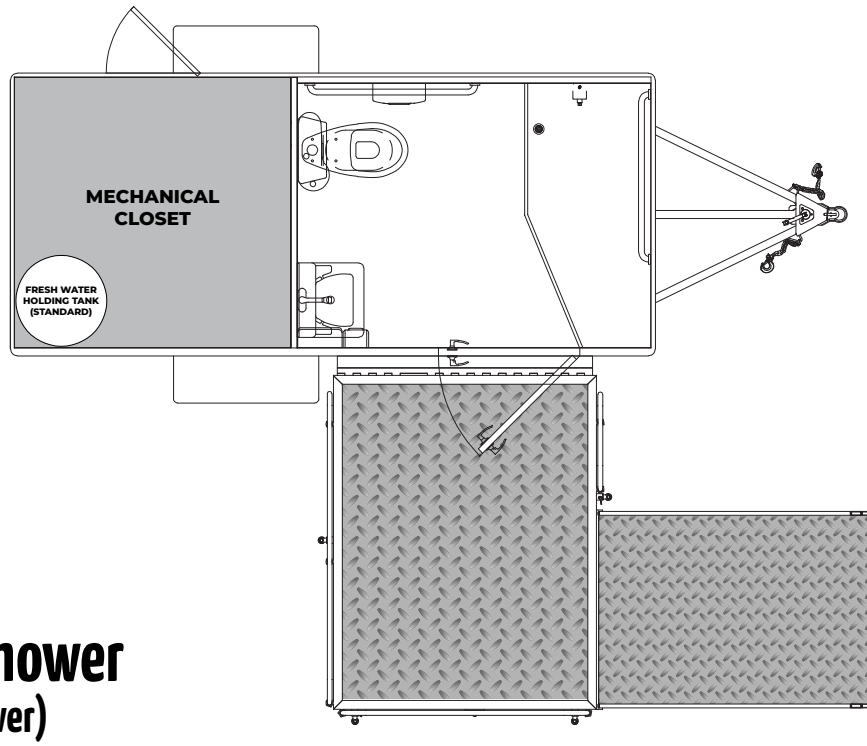
- Popular Options**
- Winterization Package
 - Propane Water Heater Package
 - Aluminum Wheels

ADA Compliant Restrooms



ADA Shower +2
(1 ADA Shower plus 2 Shower Combo)

UL620-ADA-2-S
6' x 20'
325 Gallon



Single ADA Shower
(1 Unisex ADA Shower)

UL614-ADA-S
6' x 14'
140 Gallon